

Mini indexing plungers

with and without rest position

SPECIFICATION

Types

- Type **B**: without rest position
- Type **C**: with rest position

Guide

Zinc die casting
plastic coated
black, textured finish

Pin

Stainless Steel AISI 303

Spring

Stainless Steel AISI 301

Knob

Plastic (Polyamide PA)

- black, matt
- not removable



INFORMATION

Mini indexing plungers GN 822.8 are distinguished for their small dimensions. They are mounted by countersunk screws.

The mini indexing plungers present an affordable alternative to the GN 608 (see page 776) and GN 608.1 (see page 778) indexing plungers.

In type C, the button can be turned by 30° after retracting the indexing pin, holding it in the "retracted" position using the indexing lock.

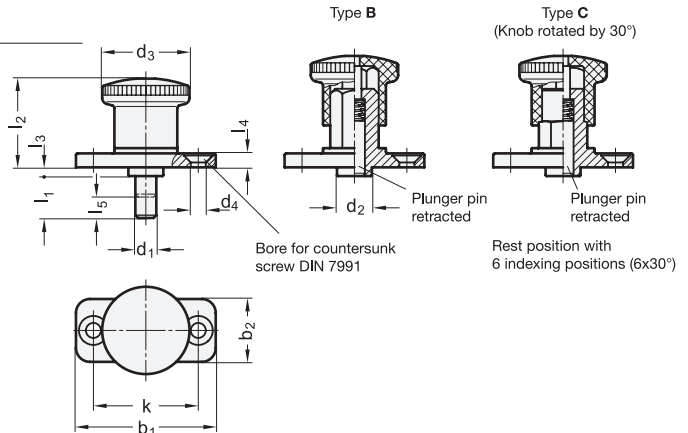
- Range of indexing plungers (see page 738)

ON REQUEST

- with red knob

TECHNICAL INFORMATION

- ISO-Fundamental tolerances (see page A21)
- Stainless Steel characteristics (see page A26)
- Plastic characteristics (see page A2)
- Load rating information (see page A42)



* Complete with type index of the Mini indexing plunger (B or C)

- | | |
|-----------------------|--------------------|
| B | C |
| without rest position | with rest position |

GN 822.8

Description	d1 Bore +0.03/+0.08 Pin h9	l1	b1	b2	d2 -0.15	d3	d4	k	l2	l3	l4	l5	Spring load in N ≈ initial	Spring load in N ≈ end	⚖
GN 822.8-4-5-*	4	5	35	15	8	21	4.3	25	20.5	2	4	5	4	12	23
GN 822.8-4-10-*	4	10	35	15	8	21	4.3	25	20.5	2	4	5	4	12	23
GN 822.8-5-6-*	5	6	40	18	10	25	4.3	30	25.5	2.5	4	6	6	16	39
GN 822.8-5-12-*	5	12	40	18	10	25	4.3	30	25.5	2.5	4	6	6	16	40
GN 822.8-6-6-*	6	6	40	18	10	25	4.3	30	25.5	2.5	4	6	6	16	39
GN 822.8-6-12-*	6	12	40	18	10	25	4.3	30	25.5	2.5	4	6	6	16	41
GN 822.8-8-10-*	8	10	50	23	14	33	5.3	38	35	2.5	5	10	11	35	94
GN 822.8-8-20-*	8	20	50	23	14	33	5.3	38	35	2.5	5	10	11	35	98
GN 822.8-10-10-*	10	10	50	23	14	33	5.3	38	35	2.5	5	10	11	35	96
GN 822.8-10-20-*	10	20	50	23	14	33	5.3	38	35	2.5	5	10	11	35	102

Weight type B